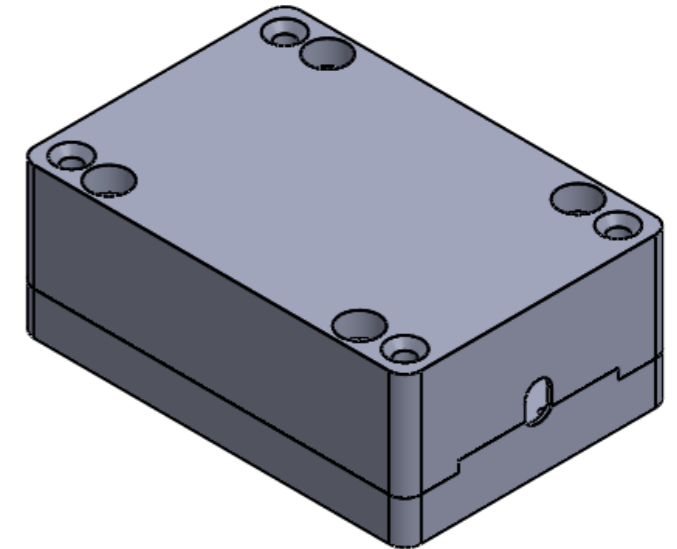
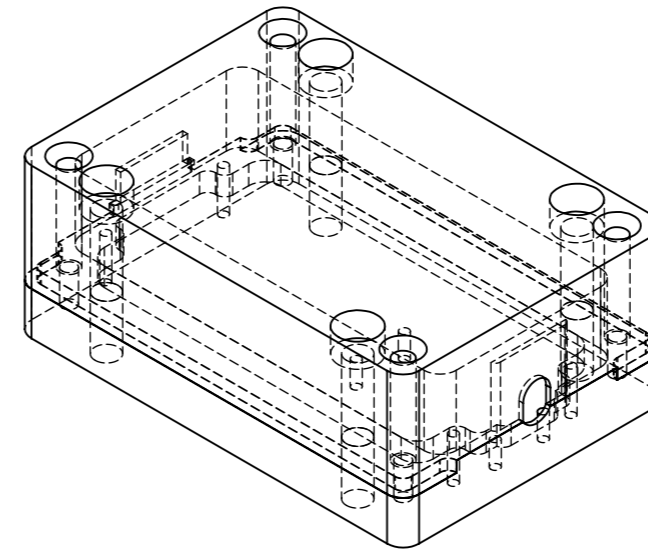
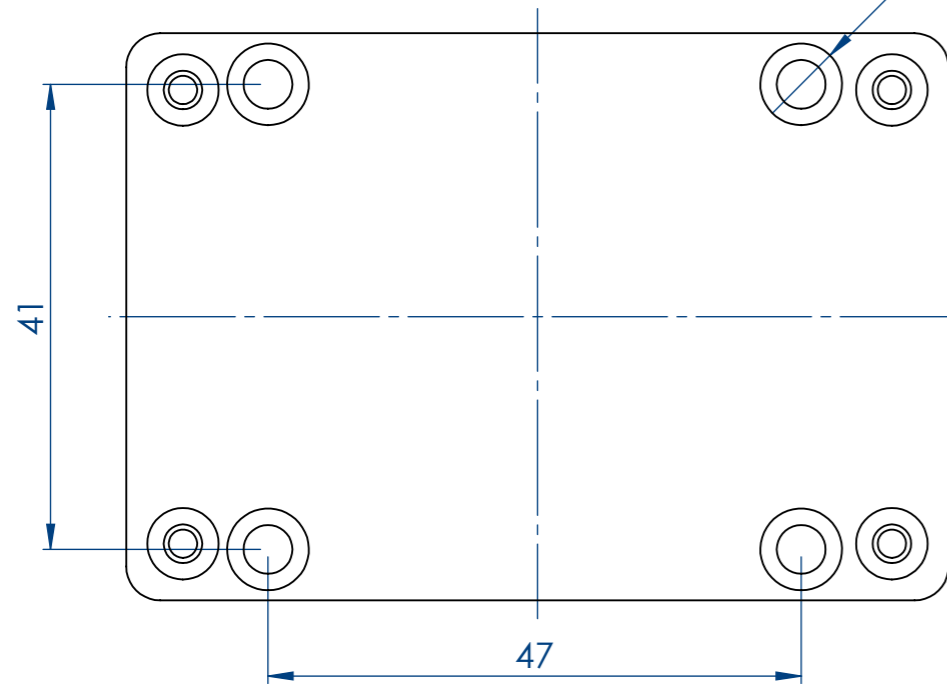


Port for ?? Cable

Port for ?? Connection

4 x Mounting Holes
M4 Counter Bored



eblanaphotonics

© Copyright Eblana Photonics Ltd., all rights reserved, Eblana reserve the right to alter specifications at anytime without notice.

PART No:	DX1	
MATERIAL:	NA	
QUANTITY:	1 off	
DRAWN BY:	Gordon O'Brien	13/08/2016
CHECKED:	Lee Byas	15/08/2016
APPROVED:	Rob Lennox	15/08/2016
REVISION:		
APPROVED:		

EBLANA CUSTOM PARTS

DX1 Assembly

FILE: 9015